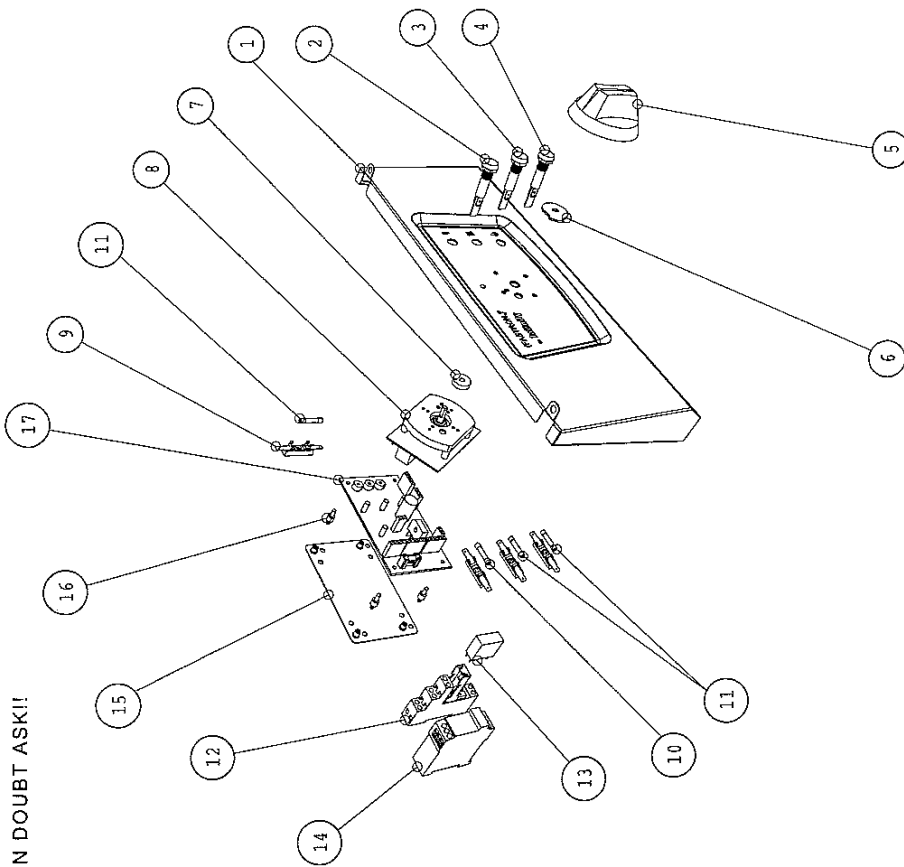
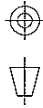


IF IN DOUBT ASK!!

DO NOT SCALE !!
First Angle Projection



ITEM	DESCRIPTION	SPARES NO
1	CONTROL PANEL ASSEMBLY C/W DECAL	536370020
2	MAINS-RED INDICATOR (24V)	536430003
3	HEAT-AMBER INDICATOR (24V)	536430002
4	LOCK-OUT-AMBER INDICATOR (230V)	536470001
5	CONTROL KNOB °C	536470000
6	CONTROL KNOB STOP	536430006
7	RESISTANCE GROMMET	536430005
8	FAST CONTROLLER	536430001
9	FUSE HOLDER	536430007
10	FUSE - 2 A ANTI-SURGE	536430008
11	FUSE - 5 A ANTI-SURGE	536430009
12	RELAY BASE SP	536430019
13	PUMP TIMER RELAY	536430020
14	PUMP TIMER	536470007
15	FAN SPEED CONTROL MOUNTING PLATE	536430012
16	FAN SPEED CONTROL SPACER	536430013
17	FAN SPEED CONTROL	536060006

All dimensions in millimetres.Tolerance-Linear 10.5mm Angular ±0.5° (or as stated). All sharp edges to be removed from sheet metal parts.

Drawn <i>hair jones</i>		Product	
Date 22/11/07		G2845 UK INFINITY FRYER	
Scale N/A		Title	
Matl. N/A		SPARES - CONTROL PANEL & ENCLOSURE COMPONENTS	
No. off N/A		Drawing Number	
Eng/No. N/A		AD45073	
Zone		Issue	
SPARES RELEASE		A	
Med No. Allocation		Kraus No. T10607	
Zone		Finish N/A	
Date 22/11/07		Kraus No. T10607	
Drawn by <i>hair jones</i>		Issue	

This part is common to the following units

No reproduction or publication of this drawing may be made, and no article may be manufactured or assembled in accordance with this drawing without prior written consent. This prohibition is a part of any contract relating to this drawing. Rights reserved under the Copyright, Patents and Designs Act 1988.

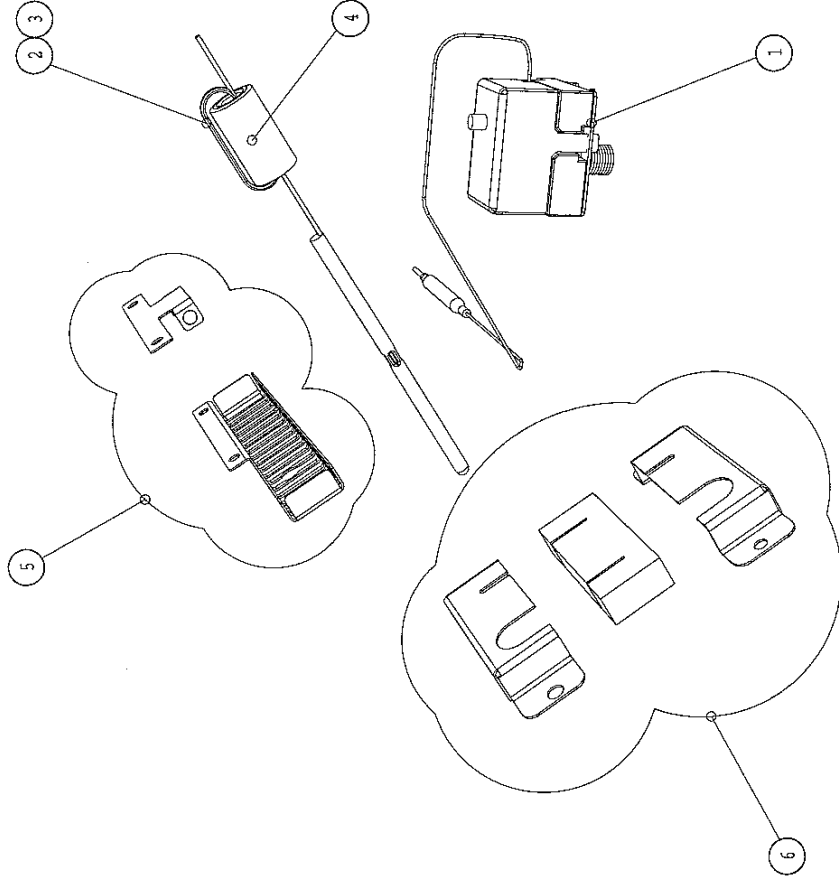


Falcon Foodservice Equipment. Wallace View Hillfoots Road Stirling Scotland

IF IN DOUBT ASK!!

DO NOT SCALE !!

First Angle Projection



ITEM	DESCRIPTION	SPARES NO
1	HIGH LIMIT THERMOSTAT	536430023
2	G2845 OPERATING PROBE C/W BEAD	536430024
3	G2848 OPERATING PROBE C/W BEAD	536440001
4	FERRITE BEAD	536430025
5	THERMOSTAT GUARD	536430026
6	THERMOSTAT BOSS COVER PLATE	536430027

All dimensions in millimetres, Tolerance- Linear $\pm 0.5^\circ$ (or as stated). All sharp edges to be removed from sheet metal parts.

Drawn <i>hair jamo</i>		Product G2845/8 UK INFINITY FRYER	
Date 22/11/07		Title SPARES - THERMOSTATIC COMPONENTS	
Scale N/A		Mtl. N/A	
No. off N/A		Finish N/A	
Bin No. N/A		Kraus No. T100612	
Issue Mod No. Alteration		Drawing Number	
A 1177		AD45078	
SPARES RELEASE		Issue A	



This part is common to the following units

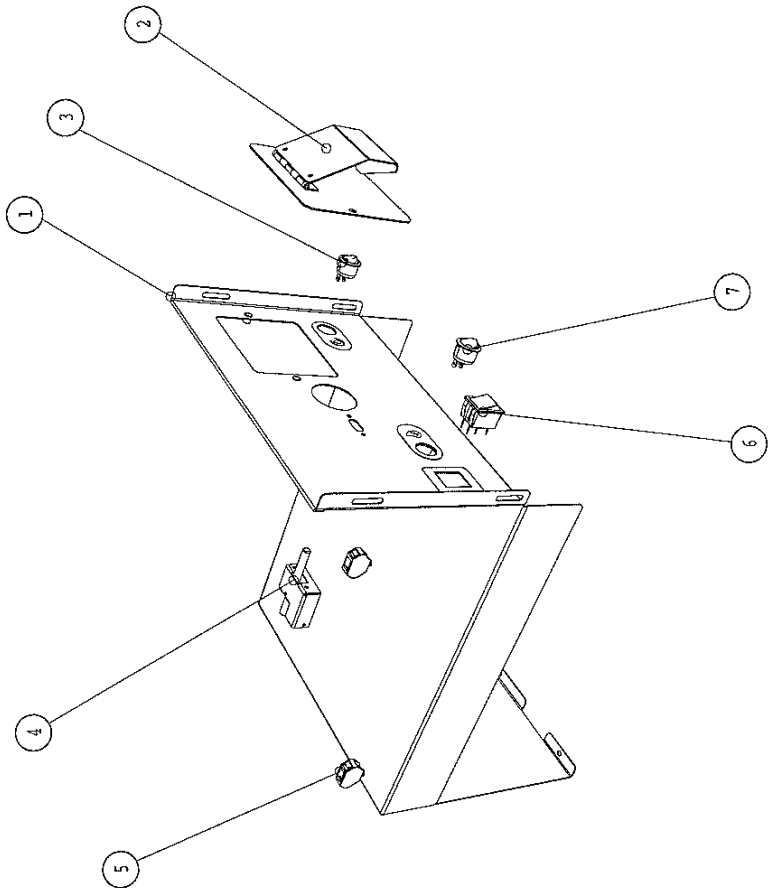
© No reproduction or publication of this drawing may be made and no part of it may be used without the prior written consent of the copyright owner. This prohibition does not apply to any contract relating to this drawing. Rights reserved under the Copyright Act 1988 as amended by the Design Copyright Act 2001.

Falcon Foodservice Equipment. Wallace View Hillfoots Road Stirling Scotland

IF IN DOUBT ASK!

DO NOT SCALE !!

First Angle Projection



ITEM	DESCRIPTION	SPARES NO
1	OIL COVER C/W NON ELEC FITMENTS	536470002
2	IGNITION ACCESS COVER PLATE ASSY	535770025
3	PUMP SWITCH	536430029
4	DRAIN HANDLE LOCK	536430035
5	CABLE TIE MOUNTING	536470003
6	ON / OFF SWITCH	536430031
7	BURNER RESET SWITCH	535770068

All dimensions in millimetres. Tolerance - Linear $\pm 0.5mm$ Angular $\pm 0.5^\circ$ (or as stated). All sharp edges to be removed from sheet metal parts.



Drawn	<i>Wair James</i>
Date	22/11/07
Scale	N/A
Mail	N/A
No. of	N/A
Bin No.	N/A

Product		G2845 UK INFINITY FRYER
Title		SPARES - OIL RETENTION COVER & COMPONENTS

Issue	Mod No.	Alteration	Zone	Drawn by	Date
A	1177	SPARES ISSUE		<i>Wair James</i>	22/11/07

This part is common to the following units

No reproduction or publication of this drawing may be made and no article may be manufactured or assembled in accordance with this drawing without prior written consent. This prohibition is a firm condition of sale and is not subject to the provisions of the Copyright Act 1988 as amended by the Design Copyright Act 1988.

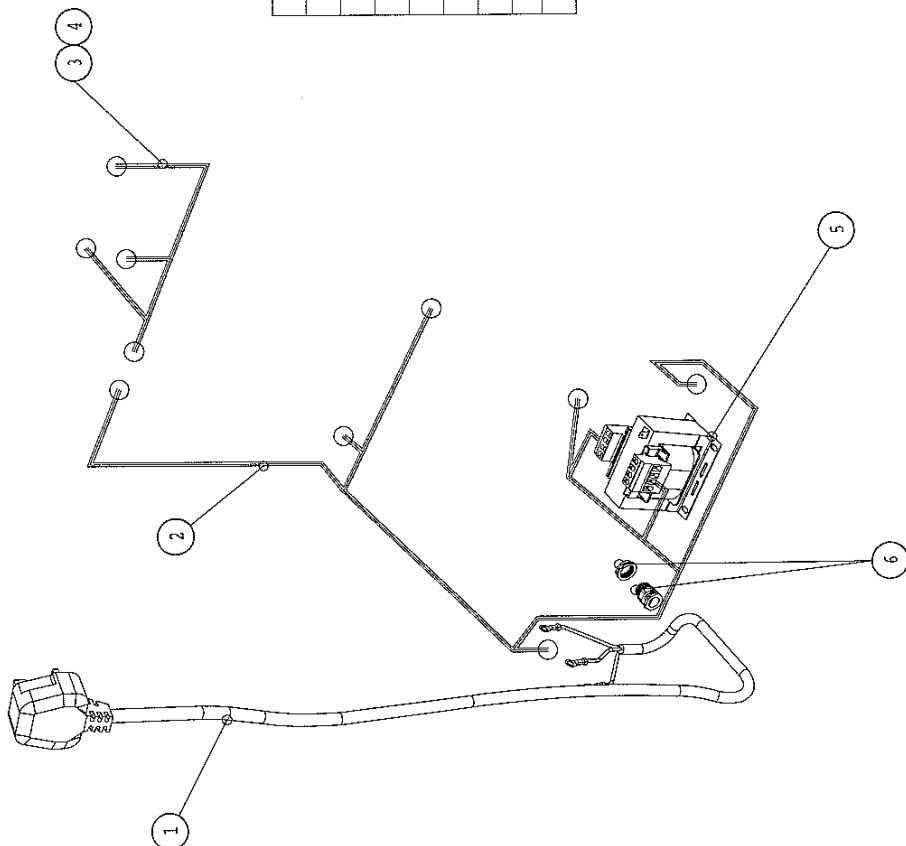
Finish	N/A
Kraus No.	T1.006.13

Drawing Number	AD45079
Issue	A

Falcon Foodservice Equipment. Wallace View Hillfoots Road Stirling Scotland

IF IN DOUBT ASK!!

DO NOT SCALE !!
First Angle Projection



ITEM	DESCRIPTION	SPARES No
1	MAINS INLET CABLE	535770061
2	WIRE HARNESS BASE LOOM	536470004
3	WIRE HARNESS G2845 CONTROLS LOOM	536470005
4	WIRE HARNESS G2848 CONTROLS LOOM	536480003
5	24V TRANSFORMER	536430037
6	MAINS CABLE GLAND	535770105

All dimensions in millimetres, Tolerance- linear $\pm 0.5mm$ Angular $\pm 0.5^\circ$ (or as stated). All sharp edges to be removed from sheet metal parts.



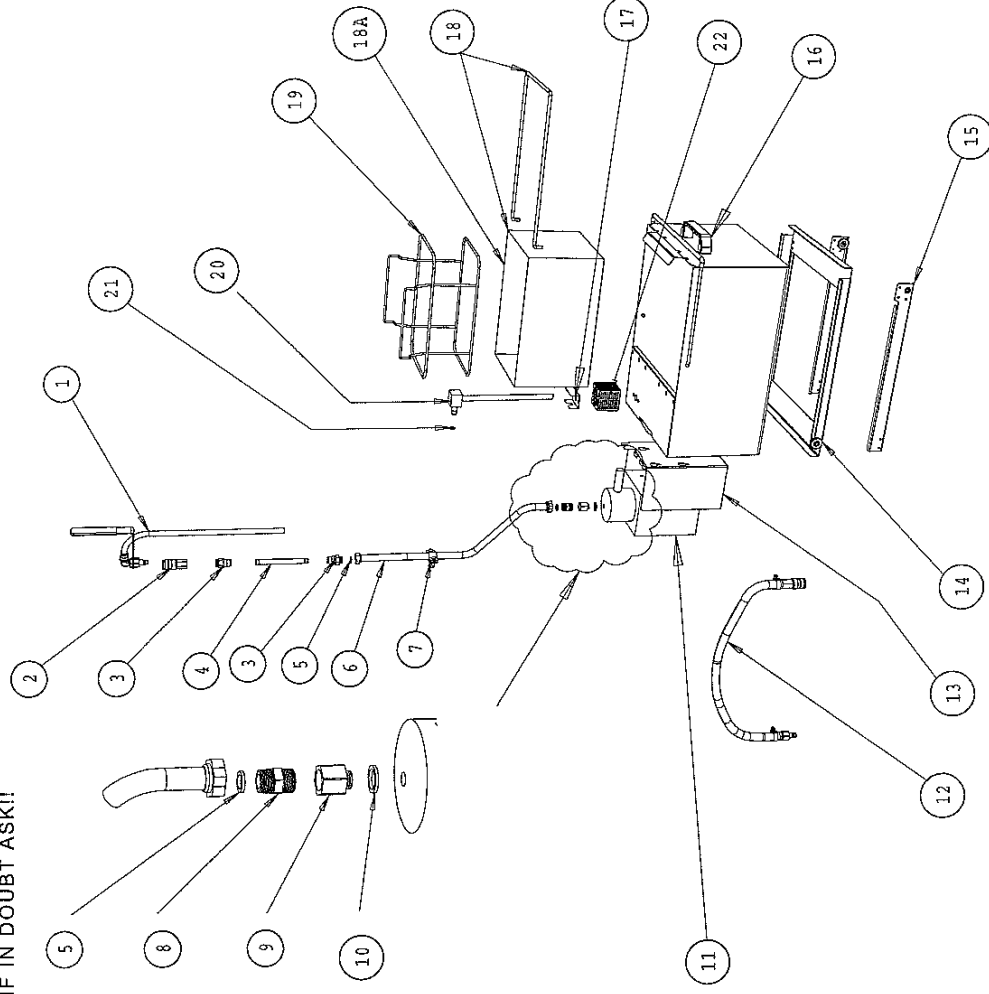
Drawn	<i>hair jones</i>	Product	G2845/8 UK INFINITY FRYER
Date	22/11/07	Title	SPARES - REAR ACCESS ELECTRICS
Scale	N/A	Matl.	N/A
No. off	N/A	Finish	N/A
Bin No.	N/A	Kraus No.	T100614
Zone		Drawing Number	AD45080
Issue	1177	Alteration	A

This part is common to the following units

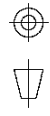
No reproduction or publication of this drawing may be made and no article may be manufactured or assembled in accordance with this drawing without the prior written permission of the drafter. The drafter's name and address shall be stated on the drawing. Copyright Act 1988.

Falcon Foodservice Equipment. Wallace View Hillfoots Road Stirling Scotland

IF IN DOUBT ASK!!

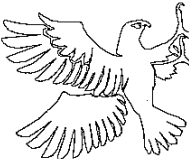


DO NOT SCALE !!
First Angle Projection



ITEM	DESCRIPTION	SPARES No
1	OIL DELIVERY HOSE	535870010
2	EXTERNAL QUICK RELEASE CONNECTION	535770085
3	INTERNAL QUICK RELEASE CONNECTION	535770094
4	STAINLESS STEEL RIDGED PIPE	535770110
5	COPPER WASHER 15.0mm	737401239
6	STAINLESS STEEL FLEXI PIPE C/W WASHER	535770111
7	PIPE CLAMP	535770112
8	DOUBLE MALE NIPPLE 3/8" - 8mm	535770113
9	INCREASER MALE TO FEMALE C/W "O" RING	737401233
10	COPPER WASHER \varnothing 8.5mm	737401245
11	FILTRATION PUMP C/WSCREWS	535770077
12	RED EXTENSION HOSE	535770087
13	FILTRATION PUMP MOUNTING BRACKET	535770074
14	OIL RETENTION CRADLE	535770028
15	OIL RETENTION RUNNERS	535770026
16	OIL RETENTION BUCKET ASSEMBLY	535770095
16A	OIL RETENTION BUCKET C/W SPLASHGUARD	536060033
17	OIL SUCTION PIPE BRACKET	535770075
18	MICRO FILTER ASSEMBLY	535770030
18A	MICRO FILTER	535770120
19	STRAINER BASKET	535770032
20	OIL SUCTION PIPE	535770076
21	OIL SUCTION PIPE "O" RING	739400997
22	OIL SUCTION PIPE FILTER BOX	536060032

All dimensions in millimetres, tolerance - Linear ± 0.5 mm Angular $\pm 0.5^\circ$ (or as stated). All sharp edges to be removed from sheet metal parts.



RED FALCON PRODUCTIONS

Drawn	<i>Wain James</i>	Product	G2845/8 UK INFINITY FRYER
Date	23/11/07	Title	SPARES - OIL FILTRATION
Scale	N.T.S.		
Mail			
No. off		Finish	
Shop No.		Kraus No.	T100615

Issue	A	Mod No.	1177	Alteration	SPARES ISSUE	Zone		Drawn by	<i>Wain James</i>	Date	23/11/07
-------	---	---------	------	------------	--------------	------	--	----------	-------------------	------	----------

This part is common to the following units

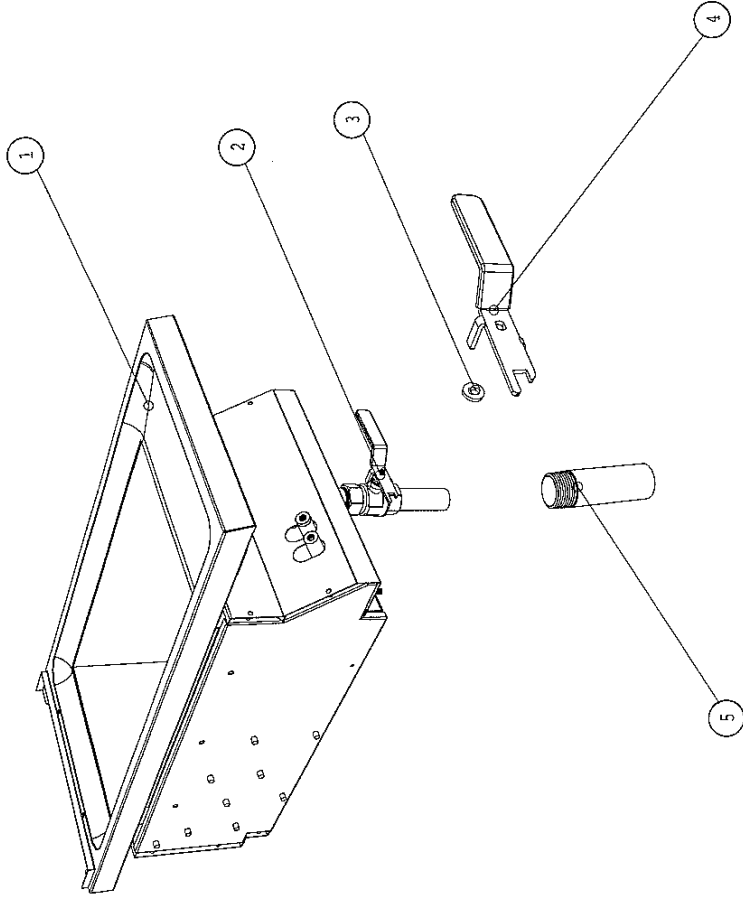
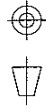
No reproduction or publication of this drawing may be made and no article may be manufactured or assembled in accordance with this drawing without the prior written consent of the copyright owner. All rights reserved under the Copyright Act 1956 as amended by the Design Copyright Act 1988.

Falcon Foodservice Equipment. Wallace View Hillfoots Road Stirling Scotland

Issue	A	Mod No.	AD45081	Alteration		Zone		Drawn Number		Issue	
-------	---	---------	---------	------------	--	------	--	--------------	--	-------	--

IF IN DOUBT ASK!!

DO NOT SCALE !!
First Angle Projection



ITEM	DESCRIPTION	SPARES No
1	HOB & PAN ASSY C/W VALVE	536470006
2	DRAIN VALVE ASSY	535770011
3	SPACER WASHER	535770013
4	DRAIN HANDLE	535770014
5	DRAIN OUTLET PIPE	535770012

All dimensions in millimetres, tolerance - linear ± 0.5 mm Angular $\pm 0.5^\circ$ (or as stated). All sharp edges to be removed from sheet metal parts.



Drawn	<i>hair jamo</i>	Product	G2845/8 UK INFINITY FRYER
Date	26/11/07	Title	SPARES - PAN & DRAIN
Scale	N/A		
Mat.	N/A		
No. off	N/A	Finish	N/A
Bin. No.	N/A	Kraus No.	T100616
Issue	1177	Mod No.	
Alteration		Zone	
Drawn by	<i>hair jamo</i>	Date	26/11/07

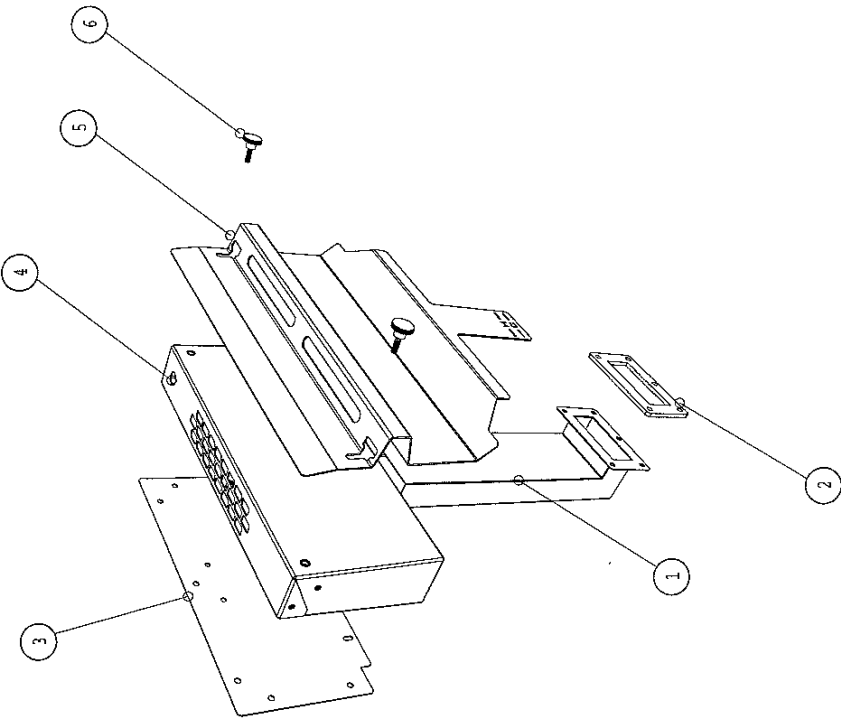
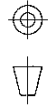
This part is common to the following units

No reproduction or publication of this drawing may be made and no copies may be made or used in any way without the prior written consent of the publisher. This publication is a private document and its use is restricted to the specific project for which it was prepared. All rights reserved. Copyright Act 1988.

Falcon Foodservice Equipment. Wallace View Hillfoots Road Stirling Scotland

IF IN DOUBT ASK!!

DO NOT SCALE !!
First Angle Projection



ITEM	DESCRIPTION	SPARES No
1	FLUE RISER ASSY C/W GASKET	535870015
2	FLUE RISER GASKET	535770049
3	FLUE BACK PANEL	535870020
4	FLUE PANEL	535770114
5	BASKET HANGING RAIL	536370008
6	BASKET HANGING RAIL SCREWS	535770100

All dimensions in millimetres, Tolerance - Linear ± 0.5 mm Angular $\pm 0.5^\circ$ (or as stated). All sharp edges to be removed from sheet metal parts.



APPROVED FOR RELEASE

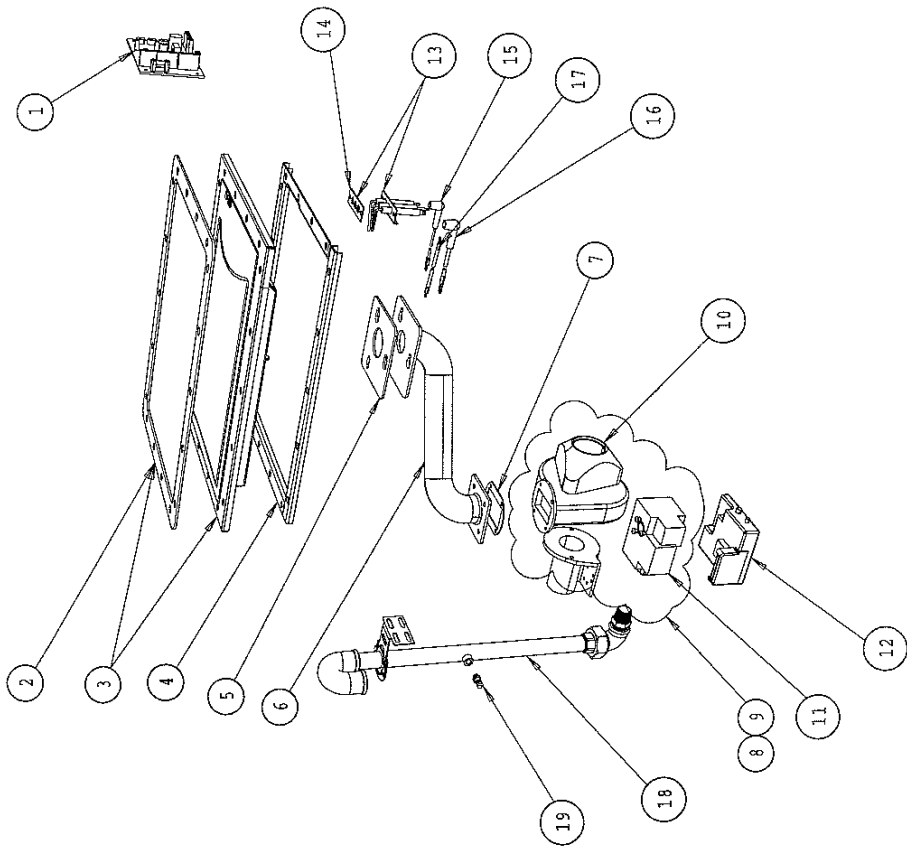
Drawn	<i>W. J. Jones</i>	Product	G2845/8 UK INFINITY FRYER
Date	28/11/07	Title	SPARES - FLUE & BASKET HANGING RAIL
Scale	N/A	Mail	N/A
No. off	N/A	Finish	N/A
Bin. No.	N/A	Kraus No.	T100617
Issue	A	Drawing Number	AD45083

This part is common to the following units

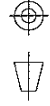
No reproduction or publication of this drawing may be made and no alteration may be made to it without the written consent of the drafter or any contract relating to this drawing. Signs Reserved under the Copyright Act 1956 as amended by the Design Copyright Act 1988.

Falcon Foodservice Equipment. Wallace View Hillfoots Road Stirling Scotland

IF IN DOUBT ASK!!

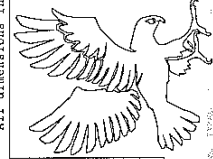


DO NOT SCALE !!
First Angle Projection



ITEM	DESCRIPTION	SPARES No.
1	24V FAN SPEED CONTROLLER	536060006
2	THERMICULITE BURNER GASKET	536430096
3	BURNER HEAD B/TECH C/W GASKET	536060008
4	BURNER RETAINING STRIP KIT	536430087
5	FEED PIPE TO BURNER HEAD GASKET	536060009
6	BURNER FEED PIPE	536060010
7	FAN TO BURNER FEED PIPE GASKET	536060011
8	UK NAT GAS PRE-MIX ASSY	536060012
9	UK PROPANE GAS PRE-MIX ASSY	536060013
10	FAN ASSEMBLY 24V (NO VENTURI)	536060014
11	GAS VALVE 230V (NO VENTURI)	536060015
12	230V IGNITION CONTROL BOX	536060016
13	ELECTRODE ASSEMBLY C/W GASKET	536060018
14	ELECTRODE GASKET	536060017
15	UK BULLET SENSOR LEAD	536060028
16	UK BULLET IGNITION LEAD	536060029
17	UK PUSH ON IGNITION RETURN LEAD	536060034
18	UK GAS INLET ASSEMBLY	535770046
19	PRESSURE TEST NIPPLE	535770047
20	UK NAT GAS BURNER ASSEMBLY	536060023
21	UK LP GAS BURNER ASSEMBLY	536060024

All dimensions in millimetres Tolerance- Linear $\pm 0.5mm$ Angular $\pm 0.5^\circ$ (or as stated). All sharp edges to be removed from sheet metal parts.



Drawn	<i>Wair James</i>	Product	G2845/8 UK INFINITY FRYER
Date	06/12/07	Title	SPARES - B/TECH BURNER ASSY
Scale	N/A		
Mail	N/A		
No. off	N/A	Finish	N/A
Bin No.	N/A	Kraus No.	T100618

This part is common to the following units

Issue	Mod No.	Alteration	Zone	Drawn by	Date
A	1177	SPARES ISSUE		<i>Wair James</i>	06/12/07

No reproduction or publication of this drawing may be made and no alterations may be made to it without the written consent of the drafter. This prohibition is in force at any contract relating to this drawing. Rights reserved under the Copyright Act 1956 as amended by the Design Copyright Act 1988.

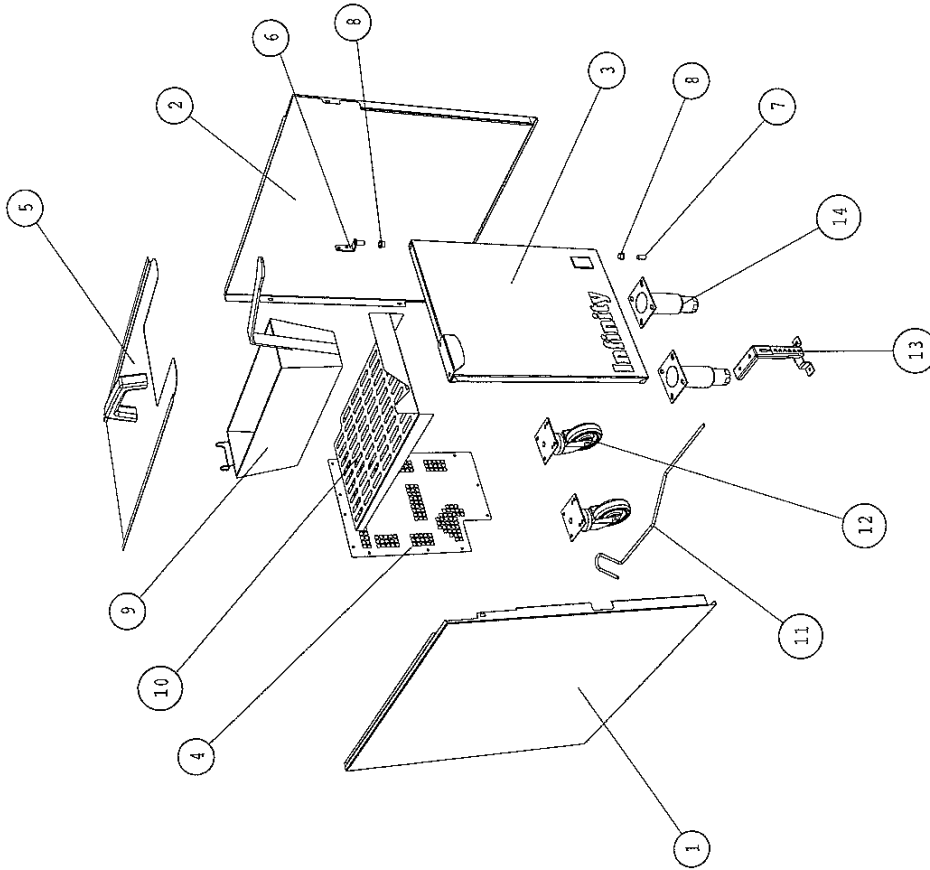
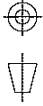
FALCON FOR PROTECT
Falcon Foodservice Equipment. Wallace View Hillfoots Road Stirling Scotland

Issue	AD45084	Drawing Number	AD45084
Issue	A		

IF IN DOUBT ASK!!

DO NOT SCALE !!

First angle projection



ITEM	DESCRIPTION	SPARES No.
1	L/H OUTER SIDE PANEL	536430104
2	R/H OUTER SIDE PANEL	536430105
3	DOOR PANEL ASSEMBLY	535770017
4	REAR ACCESS PANEL	535770045
5	PAN LID	535780000
6	TOP DOOR HINGE	536430108
7	BOTTOM DOOR HINGE	536430109
8	DOOR HINGE BUSH SET	536060036
9	FRYING BASKET	535770089
10	FISH PLATE	536470008
11	DRAIN PROD	535770088
12	REAR CASTOR	536060035
13	ANTI TILT KIT	535770097
14	FRONT FOOT	535770020

All dimensions in millimetres, Tolerance: Linear $\pm 0.5mm$ Angular $\pm 0.5^\circ$ (or as stated). All sharp edges to be removed from sheet metal parts.



Drawn	Product
<i>haz jones</i>	G2845/8 UK INFINITY FRYER
Date	Title
28/11/07	SPARES - OUTER PANELS & FITMENTS
Scale	Mail.
N/A	N/A
No. off	Finish
N/A	N/A
Bin No.	Kraus No.
N/A	T100619

This part is common to the following units

No reproduction or publication of this drawing may be made and no article may be manufactured or assembled in accordance with this drawing without prior written consent. This prohibition is a part of any contract relating to this drawing. Right reserved under the Copyright Act 1956 as amended by the Design Copyright Act 1988.

Falcon Foodservice Equipment. Wallace View Hillfoots Road Stirling Scotland

Issue	Mcd No.	Alteration	Zone	Drawn by	Date
A	1177	SPARES ISSUE		<i>haz jones</i>	28/11/07

Drawing Number	Issue
AD45085	A